



Homework 3

Due: June 4th

电子版pdf格式发至邮箱: luojing@sjtu.edu.cn

纸质版上课前交给助教

Task 1

■ Task 1.1

Add PADS for the pins of circuit

(vdd, gnd, Idc, Vip, Vin, Vop, Von)

■ Task 1.2

With PADS,

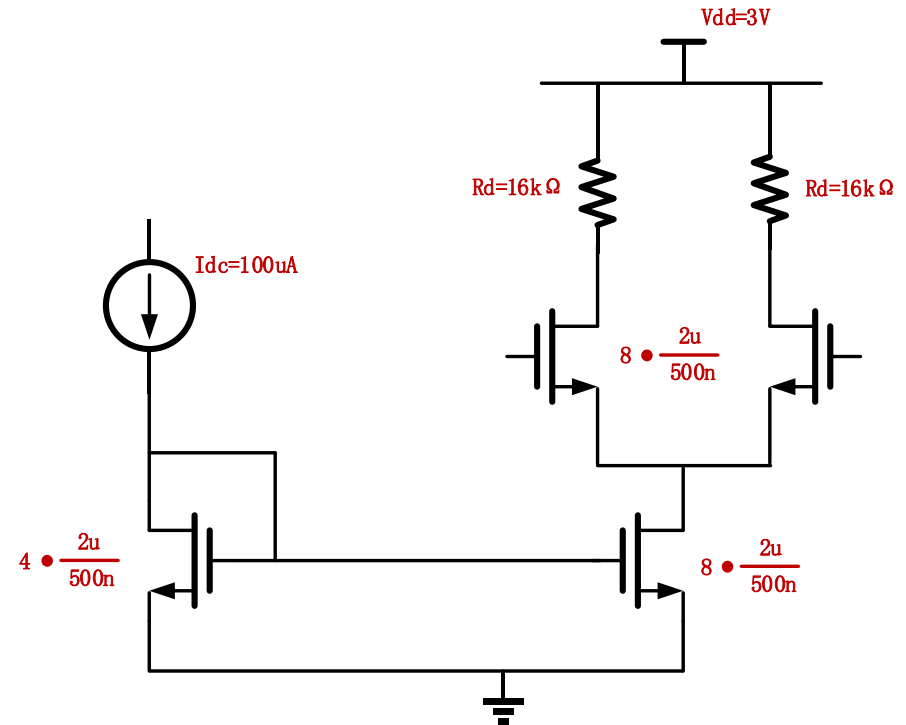
Do pre-simulation in different PVT

(Process corner: tm, wp, ws

Voltage: 2.9, 3, 3.1V

Temperature: 0, 27, 80°C).

And discuss the results carefully.



Task 1

- Task 1.3

With PADs,

Do Monte_Carlo simulation. And you need set the Monte Carlo Seed by using the latter 3 numbers of your birthday. Besides, the number of points should be larger than 50.

- Task 1.4

With PADs,

Run post-simulation (PVT and Monte Carlo). And discuss the results carefully.



Thanks!

