



Homework 2

Due: May 21th

电子版pdf格式发至邮箱: luojing@sjtu.edu.cn

纸质版上课前交给助教

Task 1

■ Task 1.1

Draw the schematic of the circuit with the given parameters ($V_{in,cm}=1.5V$) .

■ Task 1.2

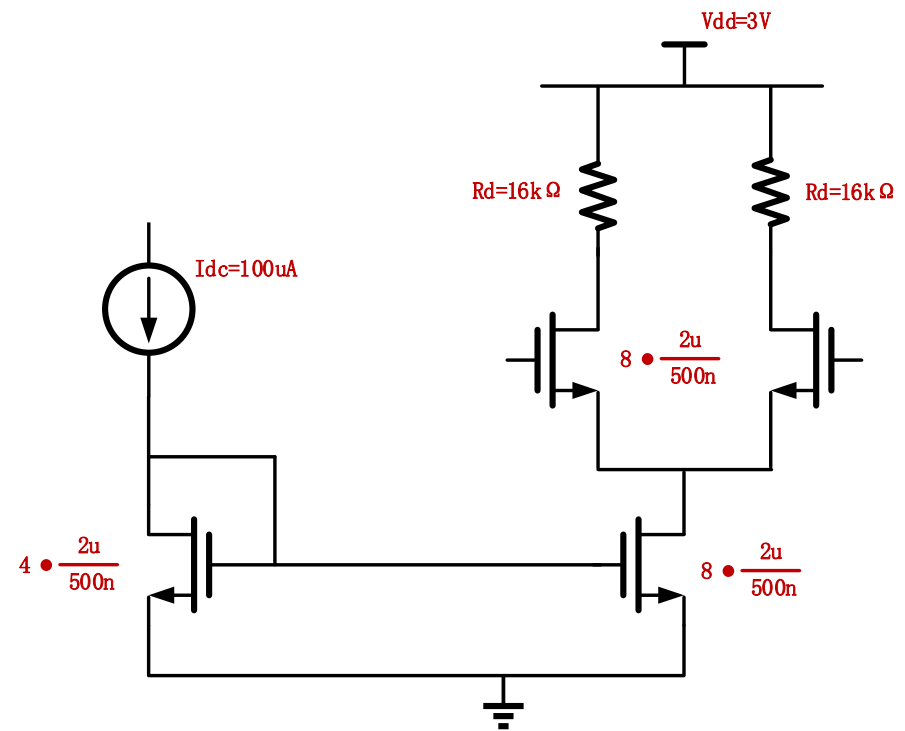
Do pre-simulation in different PVT

(Process corner: tm, wp, ws

Voltage: 2.9, 3, 3.1V

Temperature: 0, 27, 80°C).

And discuss the results carefully.



Task 1

- Task 1.3

Do Monte_Carlo simulation. And you need set the Monte Carlo Seed by using the latter 3 numbers of your birthday. Besides, the number of points should be larger than 50.

- Task 1.4

Draw the layout of the circuit. You need use some layout strategies (interdigitate or common centroid) to ensure the matching. And run post-simulation (PVT and Monte Carlo).



Thanks !